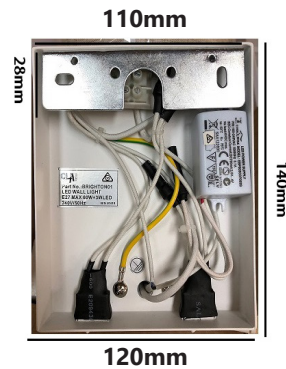
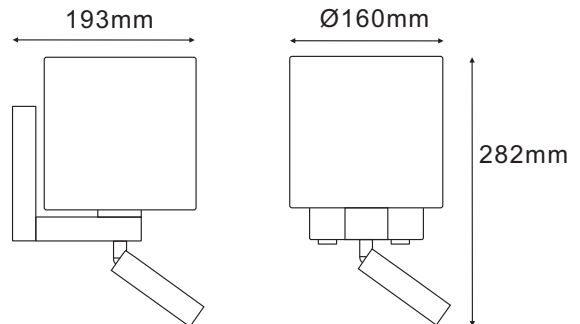




CITY SERIES: BRIGHTON

Interior Surface mounted Wall Lamp with Separately switched LED Adjustable Reading Light

- Input voltage: 220-240V AC 50/60Hz
- Inbuilt constant current driver
- Driver output voltage: 2.5-4V
- Driver input current: 0.1A
- Driver output current: 0.7A
- Shade: cloth
- Back plate: powder coated white aluminium
- Mounting bracket: iron
- Main lamp: E27 lamp holder
- Main lamp: Max.60W halogen globe
- Reading light: 3W
- Reading light: 1pc 3535 LED chip
- 2 x on/off switch on bottom of backplate
- Ambient temp: -20 to 50°C (The life of the lamp will gradually reduce if used outside these temperature parameters)
- Suitable for 2 way switching
- Suitable for use with PIR or Microwave sensors



Part No.	Main Lamp Base	Reading Lamp Kelvin (K)	Reading Lamp Lumens (LM)	Reading Lamp Watt (W)	Reading Lamp CRI	Weight (kg)	Box (cm)	Carton QTY
BRIGHTON01	E27	3000	278	3	≥80	1.60	28x22.3x18.8	6
BRIGHTON02	E27	5000	298	3	≥80	1.60	28x22.3x18.8	6